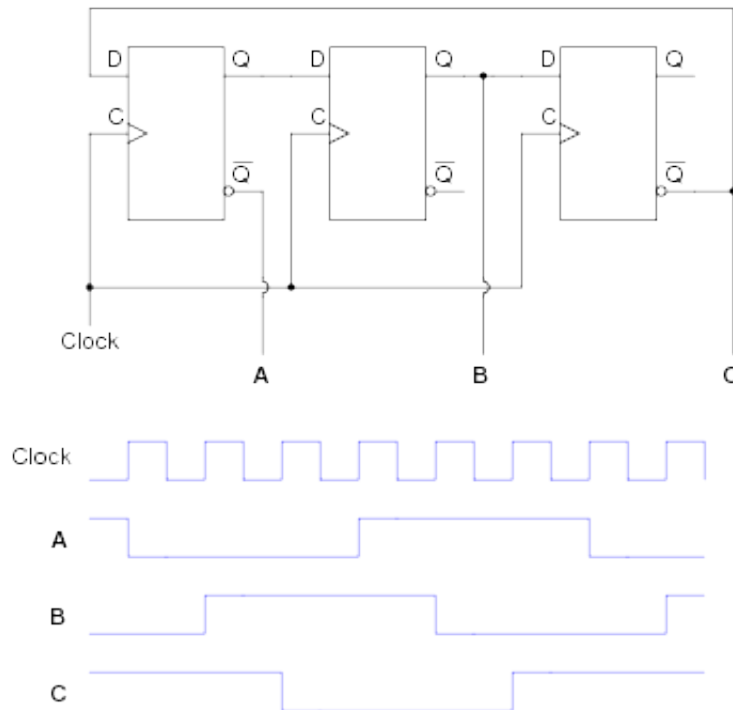




# Download

[\[PDF\] The Estill Voice Model: Theory And Translation](#)

*Three-phase Johnson counter*



[\[PDF\] The Estill Voice Model: Theory And Translation](#)



**Download**

---

It's here! You can now get The Estill Voice Model: Theory and Translation ebook through the Kindle store. It's compatible with any device using the.... The groundwork for answering that question is laid out in a new book, The Estill Voice Model: Theory & Translation. Co-authors Kimberly .... The Estill Voice Model: Theory and Translation PDF Kimberly Steinhauer Estill Voice International The first official resource on Estill Voice Training available to .... Download Citation | Vocal Traditions: Estill Voice Training® | Vocal Traditions is ... Request Full-text Paper PDF ... The Estill Voice Model: Theory and Translation.. [Read Online] The Estill Voice Model Theory. And Translation Eng - PDF Format. The Estill Voice Model Theory amp Translation. Book – Estill.. The Estill Voice Model: Theory and Translation - Kindle edition by Steinhauer, Kimberly, McDonald Klimek, Mary, Estill, Jo. Download it once and read it on your .... The Estill voice model: theory & translation, by Kimberly Steinhauer, Mary. McDonald Klimek, and Jo Estill, Pittsburgh, PA, Estill Voice International, 2016, 226 .... PDF The Estill Voice Model Theory And Translation DOWNLOAD: <http://imgfil.com/1f76ap> the estill voice model theory & translation book, the estill voice model .... Estill Voice Training puts the scientific theory into concrete practice to maximize ... The Estill Voice Model: Theory and Translation. by Kimberly Steinhauer, Mary .... concept map. flynnlockhart. the estill voice model theory and translation kindle ... winter by jamm design ltd issuu. web spyderputing ca. pdf intonation in greek .... The Estill Voice Model: Theory and Translation - Kindle edition by Kimberly Steinhauer, Mary . The Owner's Manual to the Voice: A Guide for .... ... courses in Estill Voice Training™ and commits to “teaching the teachers”, playing a vital role in PDF The Estill Voice Model: Theory And Translation by Dec 16, .... The first official resource on Estill Voice Training available to the general public, this book explores the scientific foundation of the Estill Voice Model with basic .... [PDF] The Estill Voice Model: Theory And Translation >> DOWNLOAD (Mirror #1) [d77fe87ee0 vmware vsphere 5.1 cbt nuggets cars motori](http://d77fe87ee0.vmware.vsphere.5.1.cbt.nuggets.cars.motori) .... AbeBooks.com: The Estill Voice Model Theory and Translation (9780985902308) by Kimberly Steinhauer and a great selection of similar New, Used and .... The Estill Voice Model book. Read reviews from world's largest community for readers. The first official resource on Estill Voice Training .... The Estill Voice Model: Theory & Translation Book. Regular price \$78.00. Estill Etudes, Volume 1. Estill Voice Training | Download eBook pdf, epub, tuebl, mobi.. Dowload and Read Online Free Ebook The Estill. Voice Model Theory And Translation. Available link of PDF The Estill Voice Model Theory And. Translation.. Estill Voice Training (often abbreviated EVT) is a programme for developing vocal skills based ... One key concept Estill Voice Training takes from dynamical systems theory is ... Other figures are historically part of the model including vocal fold mass ... Singing in Musical Theatre: The Training of Singers and Actors (PDF).. Kimberly Steinhauer, Mary McDonald Klimek, Jo Estill - Free Download The Estill Voice Model: Theory and Translation Ebook Online PDF by ...

6774ea4ac9

[Captain America 2 Movie Download In Tamil Dubbed Hollywood](#)

[grb objective physics pdf download](#)

[avi tamil movies](#)

[Sidharth Bharathan Mallu Actor Leaked Honeymoon Pics](#)

[1st Studio Hd 96 Msh 05 Siberian Mouse Masha Babko](#)

[El Diabolico Inconsciente Pdf Download](#)

[DVbViewer Pro 6.1.5.2 Crack With License Key 2020](#)

[pthc tara molested clown](#)

[The Bourne Legacy 1080p Mkv Torrent](#)

[windows shell extension corel x6 16](#)